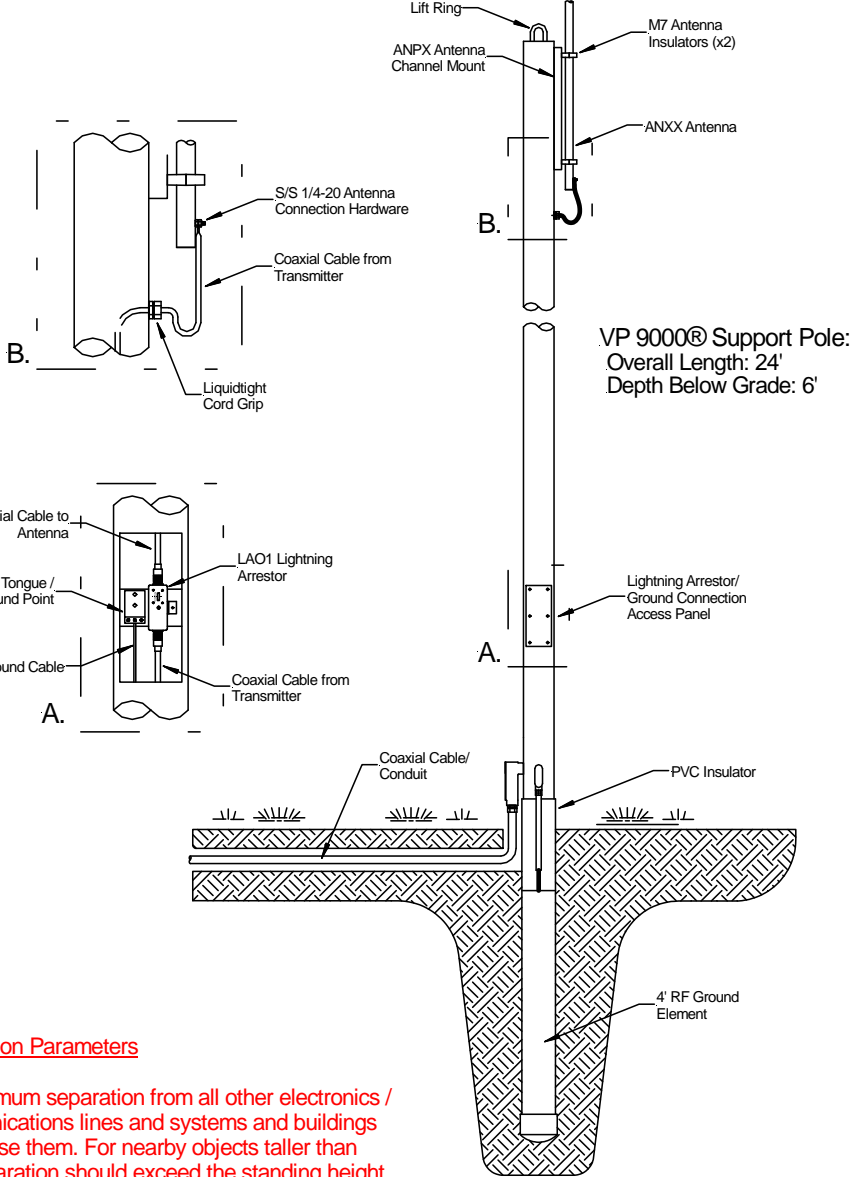


APPROVED		SHEET		Description	
DRAWN BY		DATE		REV	
06/06		19.1		.1	
Copyright 2006, Information Station Specialists, Inc. All rights reserved.					

Information Station Specialists, Inc.
 Vertical Profile Antenna Elevation/Detail View



Separation Parameters

50' minimum separation from all other electronics / communications lines and systems and buildings that house them. For nearby objects taller than 20', separation should exceed the standing height of the object (example: separate from a 100' tree by at least 100').